



# Remote/Local Temperature Sensor with Dual-Alarm Outputs and SMBus Serial Interface

MAX1619

## General Description

The MAX1619 is a precise digital thermometer that reports the temperature of both a remote sensor and its own package. The remote sensor is a diode-connected transistor—typically a low-cost, easily mounted 2N3904 NPN type—that replaces conventional thermistors or thermocouples. Remote accuracy is  $\pm 3^{\circ}\text{C}$  for multiple transistor manufacturers, with no calibration needed. The remote channel can also measure the die temperature of other ICs, such as microprocessors, that contain an on-chip, diode-connected transistor.

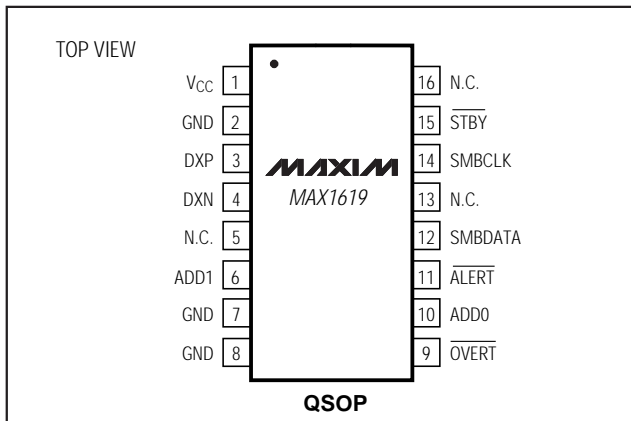
The 2-wire serial interface accepts standard System Management Bus (SMBus<sup>®</sup>) Write Byte, Read Byte, Send Byte, and Receive Byte commands to program the alarm thresholds and to read temperature data. The data format is 7 bits plus sign, with each bit corresponding to  $1^{\circ}\text{C}$ , in two's complement format. Measurements can be done automatically and autonomously, with the conversion rate programmed by the user or programmed to operate in a single-shot mode. The adjustable rate allows the user to control the supply-current drain.

The MAX1619 is nearly identical to the popular MAX1617A, with the additional feature of an overtemperature alarm output (OVERT) that responds to the remote temperature; this is optimal for fan control.

## Applications

Desktop and Notebook Computers	Central Office Telecom Equipment
Smart Battery Packs	Test and Measurement
LAN Servers	Multichip Modules
Industrial Controls	

## Pin Configuration



SMBus is a registered trademark of Intel Corp.

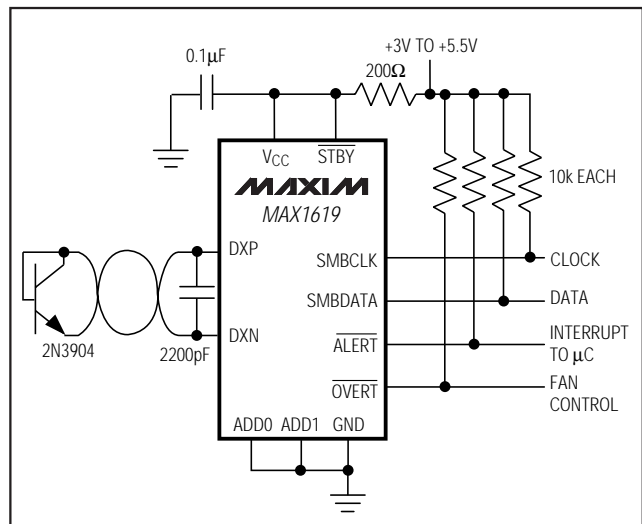
## Features

- ◆ Two Channels Measure Both Remote and Local Temperatures
- ◆ No Calibration Required
- ◆ SMBus 2-Wire Serial Interface
- ◆ Programmable Under/Overttemperature Alarms
- ◆ OVERT Output for Fan Control
- ◆ Supports SMBus Alert Response
- ◆ Supports Manufacturer and Device ID Codes
- ◆ Accuracy
  - ±2°C (+60°C to +100°C, local)
  - ±3°C (-40°C to +125°C, local)
  - ±3°C (+60°C to +100°C, remote)
- ◆ 3µA (typ) Standby Supply Current
- ◆ 70µA (max) Supply Current in Auto-Convert Mode
- ◆ +3V to +5.5V Supply Range
- ◆ Write-Once Protection
- ◆ Small 16-Pin QSOP Package

## Ordering Information

PART	TEMP. RANGE	PIN-PACKAGE
MAX1619MEE	-55°C to +125°C	16 QSOP

## Typical Operating Circuit



# Remote/Local Temperature Sensor with Dual-Alarm Outputs and SMBus Serial Interface

## ABSOLUTE MAXIMUM RATINGS

V <sub>CC</sub> to GND	-0.3V to +6V
DXP, ADD <sub>n</sub> to GND	-0.3V to (V <sub>CC</sub> + 0.3V)
DXN to GND	-0.3V to +0.8V
SMBCLK, SMBDATA, ALERT, OVERT, STBY to GND	-0.3V to +6V
SMBDATA, ALERT, OVERT Current	-1mA to +50mA
DXN Current	±1mA
ESD Protection (all pins, Human Body Model)	2000V

Continuous Power Dissipation (T <sub>A</sub> = +70°C)	
QSOP (derate 8.30mW/°C above +70°C)	667mW
Operating Temperature Range	-55°C to +125°C
Junction Temperature	+150°C
Storage Temperature Range	-65°C to +150°C
Lead Temperature (soldering, 10sec)	+300°C

Stresses beyond those listed under "Absolute Maximum Ratings" may cause permanent damage to the device. These are stress ratings only, and functional operation of the device at these or any other conditions beyond those indicated in the operational sections of the specifications is not implied. Exposure to absolute maximum rating conditions for extended periods may affect device reliability.

## ELECTRICAL CHARACTERISTICS

(V<sub>CC</sub> = +3.3V, T<sub>A</sub> = 0°C to +85°C, configuration byte = XCh, unless otherwise noted.)

PARAMETER	CONDITIONS		MIN	TYP	MAX	UNITS
<b>ADC AND POWER SUPPLY</b>						
Temperature Resolution (Note 1)	Monotonicity guaranteed		8			Bits
Initial Temperature Error, Local Diode (Note 2)	T <sub>A</sub> = +60°C to +100°C		-2		2	°C
	T <sub>A</sub> = 0°C to +85°C		-3		3	
Temperature Error, Remote Diode (Notes 2, 3)	T <sub>R</sub> = +60°C to +100°C		-3		3	°C
	T <sub>R</sub> = -55°C to +125°C (Note 4)		-5		5	
Temperature Error, Local Diode (Notes 1, 2)	Including long-term drift	T <sub>A</sub> = +60°C to +100°C	-2.5		2.5	°C
		T <sub>A</sub> = 0°C to +85°C	-3.5		3.5	
Supply Voltage Range			3.0		5.5	V
Undervoltage Lockout Threshold	V <sub>CC</sub> input, disables A/D conversion, rising edge		2.60	2.80	2.95	V
Undervoltage Lockout Hysteresis				50		mV
Power-On Reset Threshold	V <sub>CC</sub> , falling edge		1.0	1.7	2.5	V
POR Threshold Hysteresis				50		mV
Standby Supply Current	Logic inputs forced to V <sub>CC</sub> or GND	SMBus static		3	10	μA
		Hardware or software standby, SMBCLK at 10kHz		5		
Average Operating Supply Current	Autoconvert mode, average measured over 4sec. Logic inputs forced to V <sub>CC</sub> or GND.	0.25 conv/sec		35	70	μA
		2.0 conv/sec		120	180	
Conversion Time	From stop bit to conversion complete (both channels)		94	125	156	ms
Conversion Rate Timing Error	Auto-convert mode		-25		25	%
Remote-Diode Source Current	DXP forced to 1.5V	High level	80	100	120	μA
		Low level	8	10	12	
DXN Source Voltage				0.7		V
Address Pin Bias Current	ADD0, ADD1; momentary upon power-on reset			160		μA

# Remote/Local Temperature Sensor with Dual-Alarm Outputs and SMBus Serial Interface

MAX1619

## ELECTRICAL CHARACTERISTICS (continued)

(V<sub>CC</sub> = +3.3V, T<sub>A</sub> = 0°C to +85°C, configuration byte = XCh, unless otherwise noted.)

PARAMETER	CONDITIONS	MIN	TYP	MAX	UNITS
<b>SMBus INTERFACE</b>					
Logic Input High Voltage	$\overline{STBY}$ , SMBCLK, SMBDATA; V <sub>CC</sub> = 3V to 5.5V	2.2			V
Logic Input Low Voltage	$\overline{STBY}$ , SMBCLK, SMBDATA; V <sub>CC</sub> = 3V to 5.5V			0.8	V
Logic Output Low Sink Current	$\overline{ALERT}$ , $\overline{OVERT}$ , SMBDATA forced to 0.4V	6			mA
$\overline{ALERT}$ , $\overline{OVERT}$ Output High Leakage Current	$\overline{ALERT}$ , $\overline{OVERT}$ , forced to 5.5V			1	μA
Logic Input Current	Logic inputs forced to V <sub>CC</sub> or GND	-1		1	μA
SMBus Input Capacitance	SMBCLK, SMBDATA		5		pF
SMBus Clock Frequency	(Note 5)	DC		100	kHz
SMBCLK Clock Low Time	t <sub>LOW</sub> , 10% to 10% points	4.7			μs
SMBCLK Clock High Time	t <sub>HIGH</sub> , 90% to 90% points	4			μs
SMBus Start-Condition Setup Time		4.7			μs
SMBus Repeated Start-Condition Setup Time	t <sub>SU:STA</sub> , 90% to 90% points	500			ns
SMBus Start-Condition Hold Time	t <sub>HD:STA</sub> , 10% of SMBDATA to 90% of SMBCLK	4			μs
SMBus Stop-Condition Setup Time	t <sub>SU:STO</sub> , 90% of SMBCLK to 10% of SMBDATA	4			μs
SMBus Data Valid to SMBCLK Rising-Edge Time	t <sub>SU:DAT</sub> , 10% or 90% of SMBDATA to 10% of SMBCLK	250			ns
SMBus Data-Hold Time	t <sub>HD:DAT</sub> (Note 6)	0			μs
SMBCLK Falling Edge to SMBus Data-Valid Time	Master clocking in data			1	μs

## ELECTRICAL CHARACTERISTICS

(V<sub>CC</sub> = +3.3V, T<sub>A</sub> = -55°C to +125°C, configuration byte = XCh, unless otherwise noted.) (Note 4)

PARAMETER	CONDITIONS	MIN	TYP	MAX	UNITS
<b>ADC AND POWER SUPPLY</b>					
Temperature Resolution (Note 1)	Monotonicity guaranteed	8			Bits
Initial Temperature Error, Local Diode (Note 2)	T <sub>A</sub> = +60°C to +100°C	-2		2	°C
	T <sub>A</sub> = -55°C to +125°C	-3		3	
Temperature Error, Remote Diode (Notes 2, 3)	T <sub>R</sub> = +60°C to +100°C	-3		3	°C
	T <sub>R</sub> = -55°C to +125°C	-5		5	
Supply Voltage Range		3.0		5.5	V
Conversion Time	From stop bit to conversion complete (both channels)	94	125	156	ms
Conversion Rate Timing Error	Autoconvert mode	-25		25	%

# Remote/Local Temperature Sensor with Dual-Alarm Outputs and SMBus Serial Interface

## ELECTRICAL CHARACTERISTICS (continued)

( $V_{CC} = +3.3V$ ,  $T_A = -55^{\circ}C$  to  $+125^{\circ}C$ , configuration byte = XCh, unless otherwise noted.) (Note 4)

PARAMETER	CONDITIONS	MIN	TYP	MAX	UNITS
<b>SMBus INTERFACE</b>					
Logic Input High Voltage	$\overline{STBY}$ , SMBCLK, SMBDATA	$V_{CC} = 3V$	2.2		V
		$V_{CC} = 5.5V$	2.4		
Logic Input Low Voltage	$\overline{STBY}$ , SMBCLK, SMBDATA; $V_{CC} = 3V$ to $5.5V$			0.8	V
Logic Output Low Sink Current	$\overline{ALERT}$ , $\overline{OVERT}$ , SMBDATA forced to 0.4V	6			mA
$\overline{ALERT}$ , $\overline{OVERT}$ Output High Leakage Current	$\overline{ALERT}$ , $\overline{OVERT}$ forced to 5.5V			1	$\mu A$
Logic Input Current	Logic inputs forced to $V_{CC}$ or GND	-2		2	$\mu A$

**Note 1:** Guaranteed but not 100% tested.

**Note 2:** Quantization error is not included in specifications for temperature accuracy. For example, if the MAX1619 device temperature is exactly  $+66.7^{\circ}C$ , the ADC may report  $+66^{\circ}C$ ,  $+67^{\circ}C$ , or  $+68^{\circ}C$  (due to the quantization error plus the  $+1/2^{\circ}C$  offset used for rounding up) and still be within the guaranteed  $\pm 1^{\circ}C$  error limits for the  $+60^{\circ}C$  to  $+100^{\circ}C$  temperature range (Table 2).

**Note 3:** A remote diode is any diode-connected transistor from Table 1.  $T_R$  is the junction temperature of the remote diode. See *Remote Diode Selection* for remote diode forward voltage requirements.

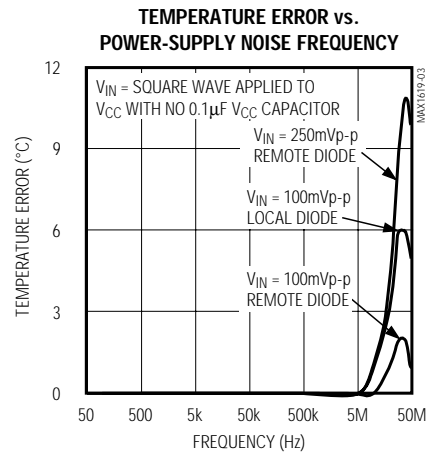
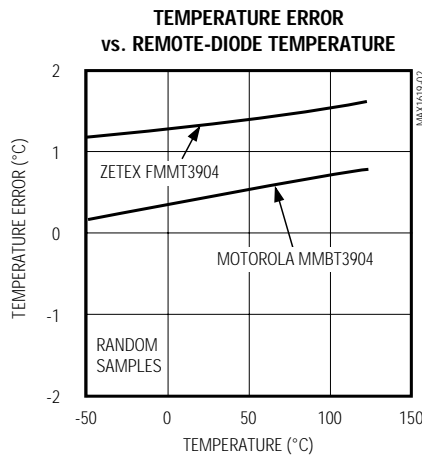
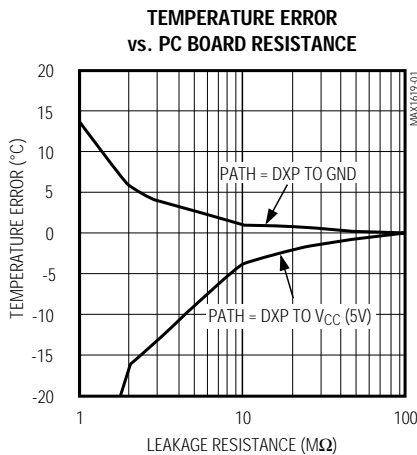
**Note 4:** Specifications from  $-55^{\circ}C$  to  $+125^{\circ}C$  are guaranteed by design, not production tested.

**Note 5:** The SMBus logic block is a static design that works with clock frequencies down to DC. While slow operation is possible, it violates the 10kHz minimum clock frequency and SMBus specifications, and may monopolize the bus.

**Note 6:** Note that a transition must internally provide at least a hold time in order to bridge the undefined region (300ns max) of SMBCLK's falling edge.

## Typical Operating Characteristics

( $T_A = +25^{\circ}C$ , unless otherwise noted.)

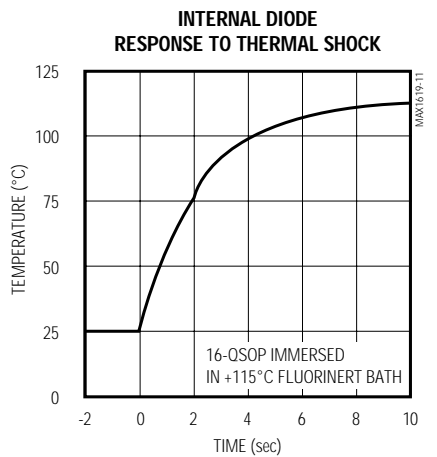
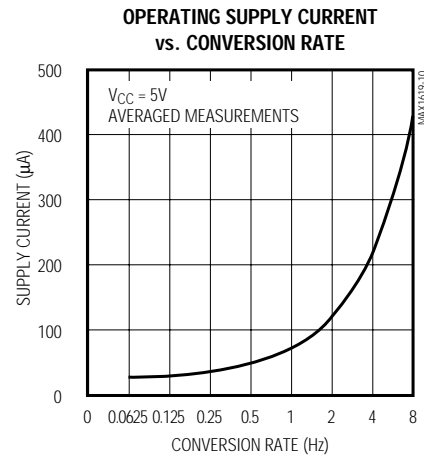
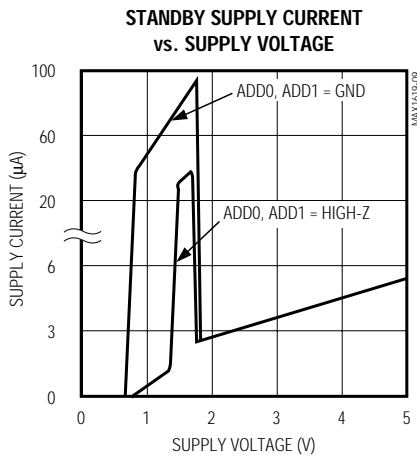
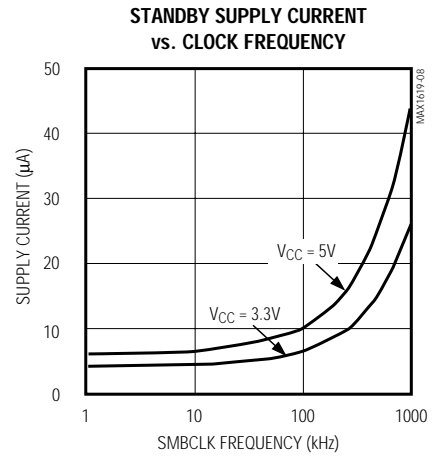
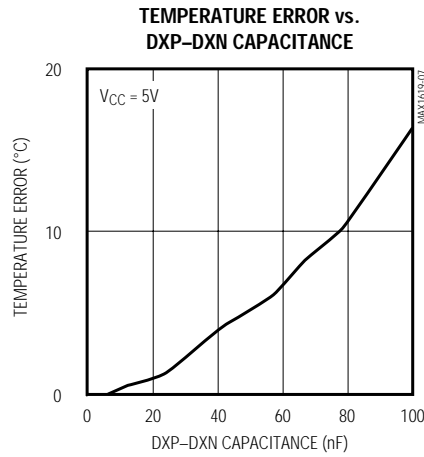
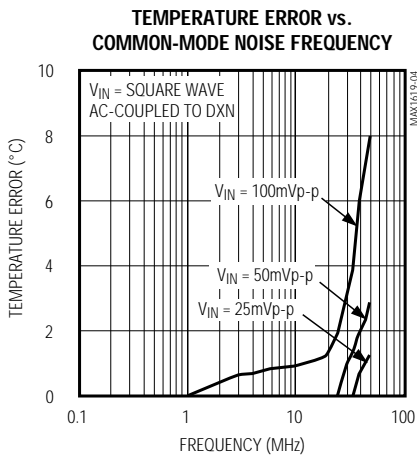


# Remote/Local Temperature Sensor with Dual-Alarm Outputs and SMBus Serial Interface

## Typical Operating Characteristics (continued)

( $T_A = +25^\circ\text{C}$ , unless otherwise noted.)

MAX1619



# Remote/Local Temperature Sensor with Dual-Alarm Outputs and SMBus Serial Interface

## Pin Description

PIN	NAME	FUNCTION
1	V <sub>CC</sub>	Supply Voltage Input, 3V to 5.5V. Bypass to GND with a 0.1 $\mu$ F capacitor. A 200 $\Omega$ series resistor is recommended but not required for additional noise filtering.
2	GND	Not internally connected. Connect to GND to act against leakage paths from V <sub>CC</sub> to DXP.
3	DXP	Combined Current Source and A/D Positive Input for Remote-Diode Channel. Do not leave DXP floating; connect DXP to DXN if no remote diode is used. Place a 2200pF capacitor between DXP and DXN for noise filtering.
4	DXN	Combined Current Sink and A/D Negative Input. DXN is normally internally biased to a diode voltage above ground.
5, 13, 16	N.C.	No Connection. Not internally connected. May be used for PC board trace routing.
6	ADD1	SMBus Address Select Pin (Table 8). ADD0 and ADD1 are sampled upon power-up. Excess capacitance (>50pF) at the address pins when floating may cause address-recognition problems.
7, 8	GND	Ground
9	$\overline{\text{OVERT}}$	Overtemperature Alarm Output, Open Drain. This is an unlatched alarm output that responds only to the remote diode temperature.
10	ADD0	SMBus Slave Address Select Pin
11	$\overline{\text{ALERT}}$	SMBus Alert (interrupt) Output, Open Drain
12	SMBDATA	SMBus Serial-Data Input/Output, Open Drain
14	SMBCLK	SMBus Serial-Clock Input
15	$\overline{\text{STBY}}$	Hardware Standby Input. Temperature and comparison threshold data are retained in standby mode. Low = standby mode, high = operate mode.

## Detailed Description

The MAX1619 is a temperature sensor designed to work in conjunction with an external microcontroller ( $\mu$ C) or other intelligence in thermostatic, process-control, or monitoring applications. The  $\mu$ C is typically a power-management or keyboard controller, generating SMBus serial commands either by "bit-banging" general-purpose input/output (GPIO) pins or through a dedicated SMBus interface block.

Essentially an 8-bit serial analog-to-digital converter (ADC) with a sophisticated front end, the MAX1619 contains a switched current source, a multiplexer, an ADC, an SMBus interface, and associated control logic (Figure 1). Temperature data from the ADC is loaded into two data registers (local and remote). The remote temperature data is automatically compared with data previously stored in four temperature-alarm threshold registers. One pair of alarm-threshold registers is used to provide hysteretic fan control; the other pair is used for alarm interrupt. The local temperature data is available for monitoring.

## ADC and Multiplexer

The ADC is an averaging type that integrates over a 60ms period (each channel, typical) with excellent noise rejection.

The multiplexer automatically steers bias currents through the remote and local diodes, measures their forward voltages, and computes their temperatures. Both channels are automatically converted once the conversion process has started, either in free-running or single-shot mode. If one of the two channels is not used, the device still performs both measurements, and the user can simply ignore the results of the unused channel.

The DXN input is biased at 0.65V above ground by an internal diode to set up the analog-to-digital (A/D) inputs for a differential measurement. The worst-case DXP–DXN differential input voltage range is 0.25V to 0.95V.

Excess resistance in series with the remote diode causes about +1/2 $^{\circ}$ C error per ohm. Likewise, 200 $\mu$ V of off-set voltage forced on DXP–DXN causes about 1 $^{\circ}$ C error.

# Remote/Local Temperature Sensor with Dual-Alarm Outputs and SMBus Serial Interface

MAX1619

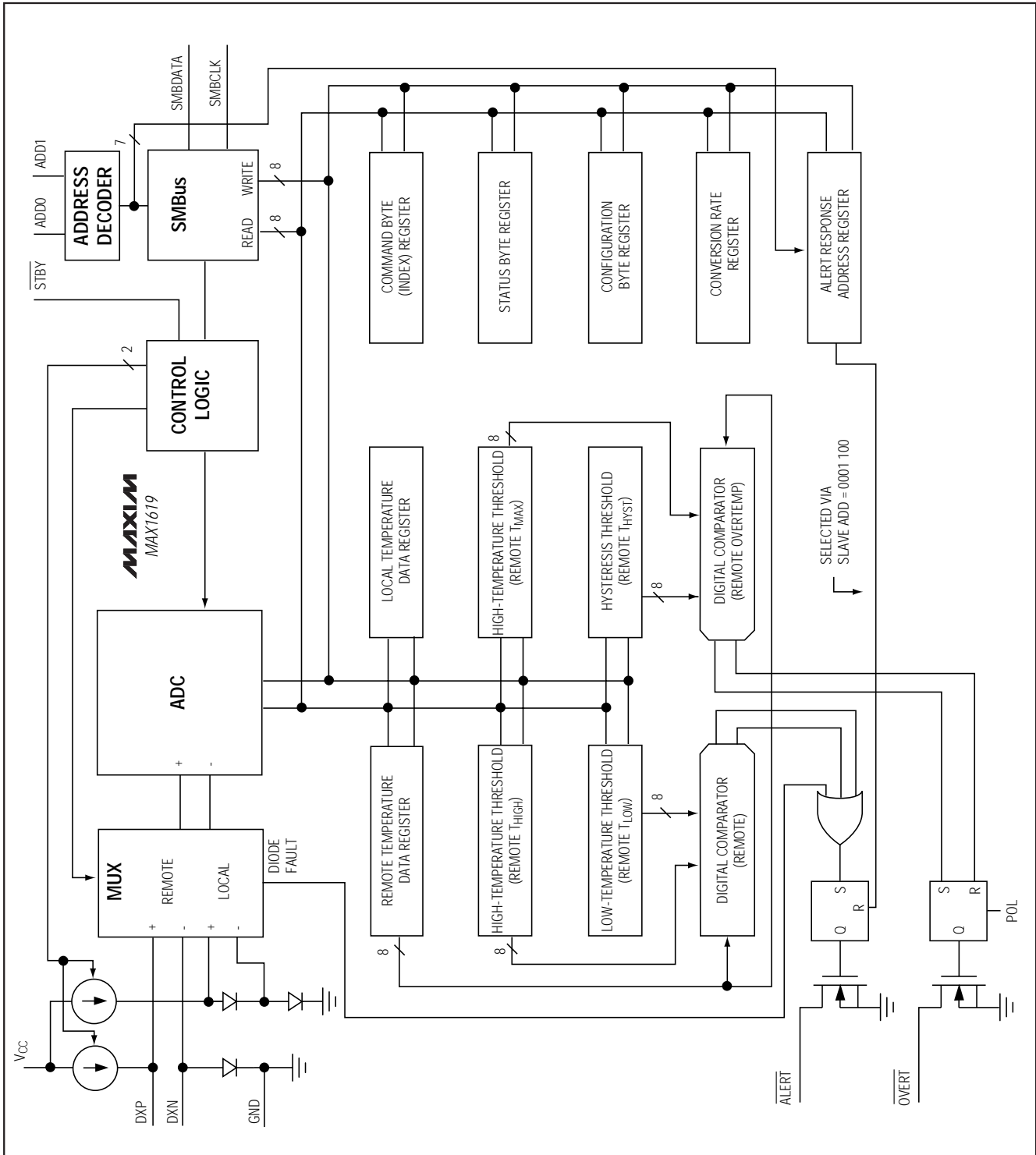


Figure 1. Functional Diagram

# Remote/Local Temperature Sensor with Dual-Alarm Outputs and SMBus Serial Interface

## A/D Conversion Sequence

If a Start command is written (or generated automatically in the free-running auto-convert mode), both channels are converted, and the results of both measurements are available after the end of conversion. A BUSY status bit in the status byte shows that the device is actually performing a new conversion; however, even if the ADC is busy, the results of the previous conversion are always available.

## Remote-Diode Selection

Temperature accuracy depends on having a good-quality, diode-connected small-signal transistor. Accuracy has been experimentally verified for all the devices listed in Table 1. The MAX1619 can also directly measure the die temperature of CPUs and other integrated circuits having on-board temperature-sensing diodes.

The transistor must be a small-signal type with a relatively high forward voltage; otherwise, the A/D input voltage range can be violated. The forward voltage must be greater than 0.25V at 10 $\mu$ A; check to ensure this is true at the highest expected temperature. The forward voltage must be less than 0.95V at 100 $\mu$ A; check to ensure this is true at the lowest expected temperature. Large power transistors don't work. Also, ensure that the base resistance is less than 100 $\Omega$ . Tight specifications for forward-current gain (+50 to +150, for example) indicate that the manufacturer has good process controls and that the devices have consistent V<sub>BE</sub> characteristics.

For heatsink mounting, the 500-32BT02-000 thermal sensor from Fenwal Electronics is a good choice. This device consists of a diode-connected transistor, an aluminum plate with screw hole, and twisted-pair cable (Fenwal Inc., Milford, MA, 508-478-6000).

## Thermal Mass and Self-Heating

Thermal mass can seriously degrade the MAX1619's effective accuracy. The thermal time constant of the QSOP-16 package is about 4sec in still air. To settle to within +1°C after a sudden +100°C change, the MAX1619 junction temperature requires about five time constants. The use of smaller packages for remote sensors, such as SOT23s, improves the situation. Take care to account for thermal gradients between the heat source and the sensor, and ensure that stray air currents across the sensor package do not interfere with measurement accuracy.

Self-heating does not significantly affect measurement accuracy. Remote-sensor self-heating due to the diode current source is negligible. For the local diode, the

**Table 1. Remote-Sensor Transistor Manufacturers**

MANUFACTURER	MODEL NUMBER
Central Semiconductor (USA)	CMPT3904
Fairchild Semiconductor (USA)	MMBT3904
Motorola (USA)	MMBT3904
Rohm Semiconductor (Japan)	SST3904
Siemens (Germany)	SMBT3904
Zetex (England)	FMMT3904CT-ND

**Note:** Transistors must be diode-connected (base shorted to collector).

worst-case error occurs when auto-converting at the fastest rate and simultaneously sinking maximum current at the  $\overline{\text{ALERT}}$  and  $\overline{\text{OVERT}}$  outputs. For example, at an 8Hz rate and with  $\overline{\text{ALERT}}$  and  $\overline{\text{OVERT}}$  each sinking 1mA, the typical power dissipation is:

$$(V_{CC})(450\mu\text{A}) + 2(0.4\text{V})(1\text{mA})$$

Package  $\theta_{JA}$  is about 120°C/W, so with  $V_{CC} = 5\text{V}$  and no copper PC board heatsinking, the resulting temperature rise is:

$$\Delta T = 3.1\text{mW}(120^\circ\text{C/W}) = 0.36^\circ\text{C}$$

Even with these contrived circumstances, it is difficult to introduce significant self-heating errors.

## ADC Noise Filtering

The ADC is an integrating type with inherently good noise rejection, especially of low-frequency signals such as 60Hz/120Hz power-supply hum. Micropower operation places constraints on high-frequency noise rejection; therefore, careful PC board layout and proper external noise filtering are required for high-accuracy remote measurements in electrically noisy environments.

High-frequency EMI is best filtered at DXP and DXN with an external 2200pF capacitor. This value can be increased to about 3300pF (max), including cable capacitance. Capacitance higher than 3300pF introduces errors due to the rise time of the switched current source.

Nearly all noise sources tested cause the ADC measurements to be higher than the actual temperature, typically by +1°C to +10°C, depending on the frequency and amplitude (see *Typical Operating Characteristics*).



# Remote/Local Temperature Sensor with Dual-Alarm Outputs and SMBus Serial Interface

## PC Board Layout

- 1) Place the MAX1619 as close as practical to the remote diode. In a noisy environment, such as a computer motherboard, this distance can be 4 inches to 8 inches (typical) or more as long as the worst noise sources (such as CRTs, clock generators, memory buses, and ISA/PCI buses) are avoided.
- 2) Do not route the DXP–DXN lines next to the deflection coils of a CRT. Also, do not route the traces across a fast memory bus, which can easily introduce +30°C error, even with good filtering. Otherwise, most noise sources are fairly benign.
- 3) Route the DXP and DXN traces in parallel and in close proximity to each other, away from any high-voltage traces such as +12V<sub>DC</sub>. Leakage currents from PC board contamination must be dealt with carefully, since a 10M $\Omega$  leakage path from DXP to ground causes about +1°C error.
- 4) Connect guard traces to GND on either side of the DXP–DXN traces (Figure 2). With guard traces in place, routing near high-voltage traces is no longer an issue.
- 5) Route through as few vias and crossunders as possible to minimize copper/solder thermocouple effects.
- 6) When introducing a thermocouple, make sure that both the DXP and the DXN paths have matching thermocouples. In general, PC board-induced thermocouples are not a serious problem. A copper-solder thermocouple exhibits 3 $\mu$ V/°C, and it takes about 200 $\mu$ V of voltage error at DXP–DXN to cause a +1°C measurement error. So, most parasitic thermocouple errors are swamped out.
- 7) Use wide traces. Narrow ones are more inductive and tend to pick up radiated noise. The 10 mil widths and spacings recommended in Figure 2 aren't absolutely necessary (as they offer only a minor improvement in leakage and noise), but try to use them where practical.
- 8) Keep in mind that copper can't be used as an EMI shield, and only ferrous materials, such as steel, work well. Placing a copper ground plane between the DXP–DXN traces and traces carrying high-frequency noise signals does not help reduce EMI.

## PC Board Layout Checklist

- Place the MAX1619 close to a remote diode.
- Keep traces away from high voltages (+12V bus).
- Keep traces away from fast data buses and CRTs.
- Use recommended trace widths and spacings.
- Place a ground plane under the traces.

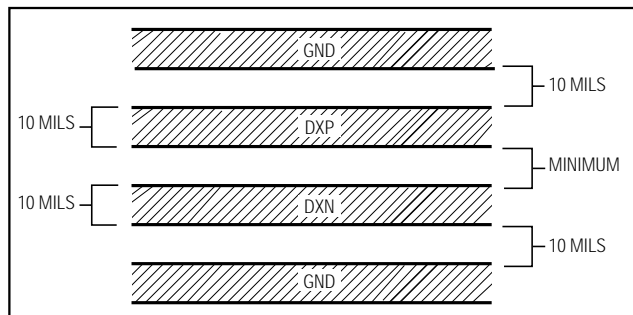


Figure 2. Recommended DXP/DXN PC Traces

- Use guard traces flanking DXP and DXN and connecting to GND.
- Place the noise filter and the 0.1 $\mu$ F V<sub>CC</sub> bypass capacitors close to the MAX1619.
- Add a 200 $\Omega$  resistor in series with V<sub>CC</sub> for best noise filtering (see *Typical Operating Circuit*).

## Twisted Pair and Shielded Cables

For remote-sensor distances longer than 8 inches, or in particularly noisy environments, a twisted pair is recommended. Its practical length is 6 feet to 12 feet (typical) before noise becomes a problem, as tested in a noisy electronics laboratory. For longer distances, the best solution is a shielded twisted pair like that used for audio microphones. For example, the Belden 8451 works well in a noisy environment for distances up to 100 feet. Connect the twisted pair to DXP and DXN and the shield to GND, and leave the shield's remote end unterminated.

Excess capacitance at DX<sub>\_</sub> limits practical remote sensor distances (see *Typical Operating Characteristics*). For very long cable runs, the cable's parasitic capacitance often provides noise filtering, so the 2200pF capacitor can often be removed or reduced in value.

Cable resistance also affects remote-sensor accuracy; 1 $\Omega$  series resistance introduces about +1/2°C error.

## Low-Power Standby Mode

Standby mode disables the ADC and reduces the supply-current drain to 3 $\mu$ A (typical). Enter standby mode by forcing the  $\overline{\text{STBY}}$  pin low or via the RUN/STOP bit in the configuration byte register. Hardware and software standby modes behave almost identically: all data is retained in memory, and the SMB interface is alive and listening for reads and writes. The only difference is that in hardware standby mode, the one-shot command does not initiate a conversion.

Standby mode is not a shutdown mode. With activity on the SMBus, extra supply current is drawn (see *Typical Operating Characteristics*). In software standby mode,

# Remote/Local Temperature Sensor with Dual-Alarm Outputs and SMBus Serial Interface

the MAX1619 can be forced to perform A/D conversions via the one-shot command, despite the RUN/STOP bit being high.

Activate hardware standby mode by forcing the  $\overline{\text{STBY}}$  pin low. In a notebook computer, this line may be connected to the system SUSTAT# suspend-state signal.

The  $\overline{\text{STBY}}$  pin low state overrides any software conversion command. If a hardware or software standby command is received while a conversion is in progress, the conversion cycle is truncated, and the data from that conversion is not latched into either temperature reading register. The previous data is not changed and remains available.

The  $\overline{\text{OVERT}}$  output continues to function in both hardware and software standby modes. If the overtemp limits are adjusted while in standby mode, the digital comparator checks the new values and puts the  $\overline{\text{OVERT}}$  pin in the correct state based on the last valid ADC conversion. The last valid ADC conversion may include a conversion performed using the one-shot command.

Supply-current drain during the 125ms conversion period is always about 450 $\mu\text{A}$ . Slowing down the conversion rate reduces the average supply current (see *Typical*

*Operating Characteristics*). Between conversions, the instantaneous supply current is about 25 $\mu\text{A}$  due to the current consumed by the conversion rate timer. In standby mode, supply current drops to about 3 $\mu\text{A}$ . At very low supply voltages (under the power-on-reset threshold), the supply current is higher due to the address pin bias currents. It can be as high as 100 $\mu\text{A}$ , depending on ADD0 and ADD1 settings.

## SMBus Digital Interface

From a software perspective, the MAX1619 appears as a set of byte-wide registers that contain temperature data, alarm threshold values, or control bits. A standard SMBus 2-wire serial interface is used to read temperature data and write control bits and alarm threshold data. Each A/D channel within the device responds to the same SMBus slave address for normal reads and writes.

The MAX1619 employs four standard SMBus protocols: Write Byte, Read Byte, Send Byte, and Receive Byte (Figure 3). The shorter Receive Byte protocol allows quicker transfers, provided that the correct data register was previously selected by a Read Byte instruction. Use caution with the shorter protocols in multi-master sys-

### Write Byte Format

S	ADDRESS	WR	ACK	COMMAND	ACK	DATA	ACK	P
	7 bits			8 bits		8 bits		1

Slave Address: equivalent to chip-select line of a 3-wire interface

Command Byte: selects which register you are writing to

Data Byte: data goes into the register set by the command byte (to set thresholds, configuration masks, and sampling rate)

### Read Byte Format

S	ADDRESS	WR	ACK	COMMAND	ACK	S	ADDRESS	RD	ACK	DATA	///	P
	7 bits			8 bits			7 bits			8 bits		

Slave Address: equivalent to chip-select line

Command Byte: selects which register you are reading from

Slave Address: repeated due to change in data-flow direction

Data Byte: reads from the register set by the command byte

### Send Byte Format

S	ADDRESS	WR	ACK	COMMAND	ACK	P
	7 bits			8 bits		

Command Byte: sends command with no data; usually used for one-shot command

### Receive Byte Format

S	ADDRESS	RD	ACK	DATA	///	P
	7 bits			8 bits		

Data Byte: reads data from the register commanded by the last Read Byte or Write Byte transmission; also used for SMBus Alert Response return address

S = Start condition    Shaded = Slave transmission  
P = Stop condition    /// = Not acknowledged

Figure 3. SMBus Protocols

# Remote/Local Temperature Sensor with Dual-Alarm Outputs and SMBus Serial Interface

tems, since a second master could overwrite the command byte without informing the first master.

The temperature data format is 7 bits plus sign in two's complement form for each channel, with each data bit representing 1°C (Table 2), transmitted MSB first. Measurements are offset by +1/2°C to minimize internal rounding errors; for example, +99.6°C is reported as +100°C.

### Alarm Threshold Registers

Two registers store  $\overline{\text{ALERT}}$  threshold limits, with high-temperature ( $T_{\text{HIGH}}$ ) and low-temperature ( $T_{\text{LOW}}$ ) registers for the remote A/D channel. There are no comparison registers for the local A/D channel. If either measured temperature *equals or exceeds* the corresponding alarm threshold value, an  $\overline{\text{ALERT}}$  interrupt is asserted. The power-on-reset (POR) state of the  $T_{\text{HIGH}}$  register is full scale (0111 1111, or +127°C). The POR state of the  $T_{\text{LOW}}$  register is 1100 1001 or -55°C.

Two additional alarm threshold registers control the  $\overline{\text{OVERT}}$  output (see  $\overline{\text{OVERT}}$  Alarm Output section),  $T_{\text{MAX}}$  and  $T_{\text{HYST}}$ . The POR state of  $T_{\text{MAX}}$  is +100°C, and  $T_{\text{HYST}}$  is +95°C.

### $\overline{\text{OVERT}}$ Alarm Output for Fan Control

The  $\overline{\text{OVERT}}$  output is an unlatched open-drain output that behaves as a thermostat to control a fan (Figure 4). When using the SMBus interface, the polarity of the  $\overline{\text{OVERT}}$  pin (active-low at POR) can be inverted via bit 5 in the configuration byte.  $\overline{\text{OVERT}}$ 's current state can be read in the status byte.

$\overline{\text{OVERT}}$  can also be used to control a fan without system intervention.  $\overline{\text{OVERT}}$  goes low when the remote temperature rises above  $T_{\text{MAX}}$  and won't go high again until the temperature drops below  $T_{\text{HYST}}$ . The power-up default settings for  $T_{\text{MAX}}$  and  $T_{\text{HYST}}$  (+100°C and +95°C, respectively) allow the MAX1619 to be used in stand-alone thermostat applications where connection to an SMBus serial bus isn't required.

### Diode Fault Alarm

There is a continuity fault detector at DXP that detects whether the remote diode has an open-circuit condition. At the beginning of each conversion, the diode fault is checked, and the status byte is updated. This fault detector is a simple voltage detector; if DXP rises above  $V_{\text{CC}} - 1\text{V}$  (typical) due to the diode current source, a fault is detected. Note that the diode fault isn't checked until a conversion is initiated, so immediately after power-on reset the status byte indicates no fault is present, even if the diode path is broken.

**Table 2. Data Format (Two's Complement)**

TEMP. (°C)	ROUNDED TEMP. (°C)	DIGITAL OUTPUT DATA BITS		
		SIGN	MSB	LSB
+130.00	+127	0	111	1111
+127.00	+127	0	111	1111
+126.50	+127	0	111	1111
+126.00	+126	0	111	1110
+25.25	+25	0	001	1001
+0.50	+1	0	000	0001
+0.25	0	0	000	0000
0.00	0	0	000	0000
-0.25	0	0	000	0000
-0.50	0	0	000	0000
-0.75	-1	1	111	1111
-1.00	-1	1	111	1111
-25.00	-25	1	110	0111
-25.50	-25	1	110	0111
-54.75	-55	1	100	1001
-55.00	-55	1	100	1001
-65.00	-65	1	011	1111
-70.00	-65	1	011	1111

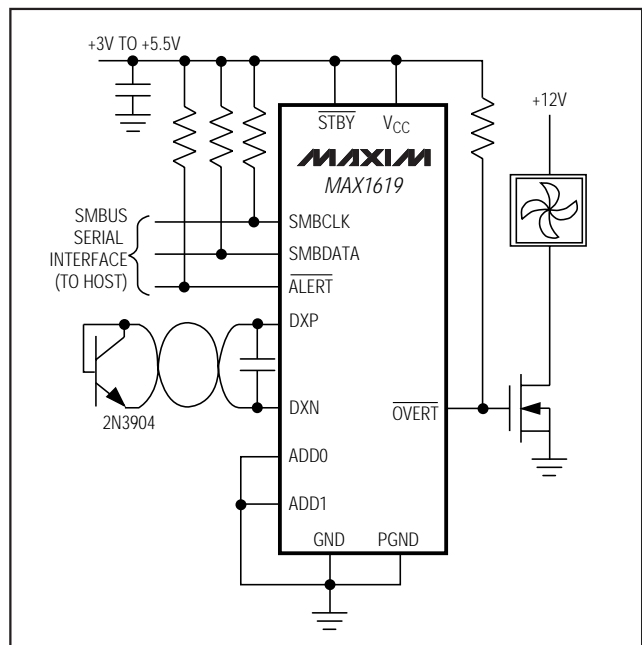


Figure 4. Fan Control Application

# Remote/Local Temperature Sensor with Dual-Alarm Outputs and SMBus Serial Interface

If the remote channel is shorted (DXP to DXN or DXP to GND), the ADC reads 0000 0000 so as not to trip either the THIGH or TLOW alarms at their POR settings. In applications that are never subjected to 0°C in normal operation, a 0000 0000 result can be checked to indicate a fault condition in which DXP is accidentally short circuited. Similarly, if DXP is short circuited to VCC, the ADC reads +127°C for both remote and local channels, and the  $\overline{\text{ALERT}}$  and  $\overline{\text{OVERT}}$  outputs are activated.

## $\overline{\text{ALERT}}$ Interrupts

The  $\overline{\text{ALERT}}$  interrupt output signal is latched and can only be cleared by reading the Alert Response address. Interrupts are generated in response to THIGH and TLOW comparisons and when the remote diode is disconnected (for continuity fault detection). The interrupt does not halt automatic conversions; new temperature data continues to be available over the SMBus interface after  $\overline{\text{ALERT}}$  is asserted. The interrupt output pin is open-drain so that devices can share a common interrupt line. The interrupt rate can never exceed the conversion rate.

The interface responds to the SMBus Alert Response address, an interrupt pointer return-address feature (see *Alert Response Address* section). Prior to taking corrective action, always check to ensure that an interrupt is valid by reading the current temperature.

To prevent reoccurring interrupts, the MAX1619 asserts  $\overline{\text{ALERT}}$  only once per crossing of a given temperature threshold. To enable a new interrupt, the value in the limit register that triggered the interrupt must be rewritten. Note that other interrupt conditions can be caused by crossing the opposite temperature threshold, or a diode fault can still cause an interrupt.

Example: the remote temperature reading crosses THIGH, activating  $\overline{\text{ALERT}}$ . The host responds to the

**Table 3. Read Format for Alert Response Address (0001100)**

BIT	NAME	FUNCTION
7 (MSB)	ADD7	Provide the current MAX1619 slave address
6	ADD6	
5	ADD5	
4	ADD4	
3	ADD3	
2	ADD2	
1	ADD1	
0 (LSB)	1	Logic 1

*I<sup>2</sup>C* is a trademark of Philips Corp.

interrupt and reads the Alert Response address, clearing the interrupt. The system may also read the status byte at this time. The condition that caused the interrupt persists, but no new  $\overline{\text{ALERT}}$  interrupt is issued. Finally, the host writes a new value to THIGH. This enables the device to generate a new THIGH interrupt if the alert condition still exists.

## Alert Response Address

The SMBus Alert Response interrupt pointer provides quick fault identification for simple slave devices that lack the complex, expensive logic needed to be a bus master. Upon receiving an  $\overline{\text{ALERT}}$  interrupt signal, the host master can broadcast a Receive Byte transmission to the Alert Response slave address (0001 100). Then any slave device that generated an interrupt attempts to identify itself by putting its own address on the bus (Table 3).

The Alert Response can activate several different slave devices simultaneously, similar to the I<sup>2</sup>C™ General Call. If more than one slave attempts to respond, bus arbitration rules apply, and the device with the lower address code wins. The losing device does not generate an acknowledge and continues to hold the  $\overline{\text{ALERT}}$  line low until serviced (implies that the host interrupt input is level-sensitive). Successful reading of the alert response address clears the interrupt latch.

## Command Byte Functions

The 8-bit command byte register (Table 4) is the master index that points to the other registers within the MAX1619. The register's POR state is 0000 0001 so that a Receive Byte transmission (a protocol that lacks the command byte) that occurs immediately after POR returns the current remote temperature data.

The one-shot command immediately forces a new conversion cycle to begin. In software standby mode (RUN/STOP bit = high), a new conversion is begun, after which the device returns to standby mode. If a conversion is in progress when a one-shot command is received, the command is ignored. If a one-shot command is received in auto-convert mode (RUN/STOP bit = low) between conversions, a new conversion begins, the conversion rate timer is reset, and the next automatic conversion takes place after a full delay elapses.

## Configuration Byte Functions

The configuration byte register (Table 5) is used to mask (disable) interrupts, to put the device in software standby mode, to change the polarity of the  $\overline{\text{OVERT}}$  output, and to enable the write-once protection. The lowest two bits are internally set to zeros, making them "don't care" bits. This register's contents can be read back over the serial interface.

# Remote/Local Temperature Sensor with Dual-Alarm Outputs and SMBus Serial Interface

**Table 4. Command-Byte Bit Assignments**

REGISTER	COMMAND	POR STATE	FUNCTION
RLTS	00h	0000 0000*	Read local temperature: returns latest temperature
RRTE	01h	0000 0000*	Read remote temperature: returns latest temperature
RSL	02h	N/A	Read status byte (flags, busy signal)
RCL	03h	0000 1100	Read configuration byte
RCRA	04h	0000 0010	Read conversion rate byte
RRTM	10h	01100100	Read remote T <sub>MAX</sub> limit
RRTH	11h	01011111	Read remote T <sub>HYST</sub> limit
RRHI	07h	0111 1111	Read remote T <sub>HIGH</sub> limit
RRLS	08h	1100 1001	Read remote T <sub>LOW</sub> limit
WCA	09h	N/A	Write configuration byte
WCRW	0Ah	N/A	Write conversion rate byte
WRTM	12h	N/A	Write remote T <sub>MAX</sub> limit
WRTH	13h	N/A	Write remote T <sub>HYST</sub> limit
WRHA	0Dh	N/A	Write remote T <sub>HIGH</sub> limit
WRLN	0Eh	N/A	Write remote T <sub>LOW</sub> limit
OSHT	0Fh	N/A	One-shot command
SPOR	FCh	N/A	Write software POR
WADD	FDh	N/A	Write address
MFG ID	FEh	0100 1101	Read manufacturer ID code
DEV ID	FFh	0000 0100	Read device ID code

\*If the device is in hardware standby mode at POR, both temperature registers read 0°C.

**Table 5. Configuration-Byte Bit Assignments**

BIT	NAME	POR STATE	FUNCTION
7 (MSB)	MASK	0	Masks all ALERT interrupts when high.
6	RUN/STOP	0	Standby mode control bit. If high, the device immediately stops converting and enters standby mode. If low, the device converts in either one-shot or timer mode.
5	POL	0	Determines the polarity of the $\overline{\text{OVERT}}$ output: 0 = active low (low when overtemp) 1 = active high
4	PROT	0	When asserted high, locks out all subsequent writes to: <input type="checkbox"/> Configuration register bits 6, 5, 4, 3, 2 (RUN/STOP, POL, PROT, ID1, ID2) <input type="checkbox"/> T <sub>MAX</sub> register <input type="checkbox"/> T <sub>HYST</sub> register <input type="checkbox"/> Conversion rate register <input type="checkbox"/> Diode Current
3	ID1	1	Reduces the diode current by 5μA when set low.
2	ID2	1	Reduces the diode current by 2.5μA when set low.
1-0	RFU	0	Reserved for future use.

# Remote/Local Temperature Sensor with Dual-Alarm Outputs and SMBus Serial Interface

**Table 6. Status-Byte Bit Assignments**

BIT	NAME	FUNCTION
7 (MSB)	BUSY	A high indicates that the ADC is busy converting.
6	RFU	Reserved for future use.
5	RFU	Reserved for future use.
4	RHIGH*	A high indicates that the remote high-temperature alarm has activated.
3	RLOW*	A high indicates that the remote low-temperature alarm has activated.
2	OPEN*	A high indicates a remote-diode continuity (open-circuit) fault.
1	OVER	This bit follows the state of the $\overline{\text{OVERT}}$ pin exactly, in real time (unlatched).
0 (LSB)	RFU	Reserved for future use.

\* The HIGH and LOW temperature alarm flags stay high until cleared by POR or until status register is read.

### Write-Once Protection

Write-once protection allows the host BIOS code to configure the MAX1619 in a particular way, and then protect that configuration against data corruption in the host that might cause spurious writes to the MAX1619. In particular, write protection allows a foolproof over-temperature override that forces the fan on 100% via  $\overline{\text{OVERT}}$  independent of the host system. The write-protection bit (bit 4), once set high, can't be reset to low except by a hardware power-on reset. A SPOR (software POR) will not reset this bit.

### Status Byte Functions

The status byte register (Table 6) indicates which (if any) temperature thresholds have been exceeded. This byte also indicates whether or not the ADC is converting and whether there is an open circuit in the remote diode DXP–DXN path. The status byte is cleared by any successful read of the status byte, unless the fault persists. The status of bit1 (OVER) follows the state of  $\overline{\text{OVERT}}$  exactly. Note that the ALERT interrupt latch is not automatically cleared when the status flag bit is cleared.

When autoconverting, if the  $T_{\text{HIGH}}$  and  $T_{\text{LOW}}$  limits are close together, it's possible for both high-temp and low-temp status bits to be set, depending on the amount of time between status read operations (especially when converting at the fastest rate). In these circumstances, it's best not to rely on the status bits to indicate reversals in long-term temperature changes. Instead, use a current temperature reading to establish the trend direction.

**Table 7. Conversion-Frequency Control Byte**

DATA	CONVERSION FREQUENCY (Hz)	AVERAGE SUPPLY CURRENT ( $\mu\text{A}$ typ, at $V_{\text{CC}} = 3.3\text{V}$ )
00h	0.0625	30
01h	0.125	33
02h	0.25	35
03h	0.5	48
04h	1	70
05h	2	128
06h	4	225
07h	8	425
08h to FFh	RFU	—

### Conversion Rate Byte

The conversion rate register (Table 7) programs the time interval between conversions in free-running autoconvert mode. This variable rate control reduces the supply current in portable-equipment applications. The conversion rate byte's POR state is 02h (0.25Hz). The MAX1619 looks only at the 3 LSB bits of this register, so the upper 5 bits are "don't care" bits, which should be set to zero. The conversion rate tolerance is  $\pm 25\%$  at any rate setting.

Valid A/D conversion results for both channels are available one total conversion period (125ms nominal, 156ms maximum) after initiating a conversion, whether conversion is initiated via the RUN/STOP bit, hardware  $\overline{\text{STBY}}$  pin, one-shot command, or initial power-up. Changing the conversion rate can also affect the delay until new results are available (Table 8).

### Manufacturer and Device ID Codes

Two ROM registers provide manufacturer and device ID codes (Table 4). Reading the manufacturer ID returns 4Dh, which is the ASCII code "M" (for Maxim). Reading the device ID returns 04h, indicating a MAX1619 device. If READ WORD 16-bit SMBus protocol is employed (rather than the 8-bit READ BYTE), the least significant byte contains the data and the most significant byte contains 00h in both cases.

### Slave Addresses

The MAX1619 appears to the SMBus as one device having a common address for both ADC channels. The device address can initially be set to one of nine different values by pin-strapping ADD0 and ADD1 so that more than one MAX1619 can reside on the same bus without address conflicts (Table 9).

# Remote/Local Temperature Sensor with Dual-Alarm Outputs and SMBus Serial Interface

**Table 8. RLTS and RRTE Temperature Register Update Timing Chart**

OPERATING MODE	CONVERSION INITIATED BY:	NEW CONVERSION FREQUENCY (CHANGED VIA WRITE TO WCRW)	TIME UNTIL RLTS AND RRTE ARE UPDATED
Autoconvert	Power-on reset	n/a (0.25Hz)	156ms max
Autoconvert	One-shot command, while idling between automatic conversions	n/a	156ms max
Autoconvert	One-shot command that occurs during a conversion	n/a	When current conversion is complete (1-shot is ignored)
Autoconvert	Rate timer	0.0625Hz	20sec
Autoconvert	Rate timer	0.125Hz	10sec
Autoconvert	Rate timer	0.25Hz	5sec
Autoconvert	Rate timer	0.5Hz	2.5sec
Autoconvert	Rate timer	1Hz	1.25sec
Autoconvert	Rate timer	2Hz	625ms
Autoconvert	Rate timer	4Hz	312.5ms
Autoconvert	Rate timer	8Hz	237.5ms
Hardware Standby	$\overline{\text{STBY}}$ pin	n/a	156ms
Software Standby	RUN/STOP bit	n/a	156ms
Software Standby	One-shot command	n/a	156ms

**Table 9. POR Slave Address Decoding (ADD0 and ADD1)**

ADD0	ADD1	ADDRESS
GND	GND	0011 000
GND	High-Z	0011 001
GND	V <sub>CC</sub>	0011 010
High-Z	GND	0101 001
High-Z	High-Z	0101 010
High-Z	V <sub>CC</sub>	0101 011
V <sub>CC</sub>	GND	1001 100
V <sub>CC</sub>	High-Z	1001 101
V <sub>CC</sub>	V <sub>CC</sub>	1001 110

**Note:** High-Z means that the pin is left unconnected and floating.

The address pin states are checked at POR and SPOR only, and the address data stays latched to reduce quiescent supply current due to the bias current needed for high-Z state detection. A new device address can be written using the Write Address Command FDh.

The MAX1619 also responds to the SMBus Alert Response slave address (see the *Alert Response Address* section).

### POR and UVLO

The MAX1619 has a volatile memory. To prevent ambiguous power-supply conditions from corrupting the data in memory and causing erratic behavior, a POR voltage detector monitors V<sub>CC</sub> and clears the memory if V<sub>CC</sub> falls

below 1.7V (typical, see *Electrical Characteristics* table). When power is first applied and V<sub>CC</sub> rises above 1.75V (typical), the logic blocks begin operating, although reads and writes at V<sub>CC</sub> levels below 3V are not recommended. A second V<sub>CC</sub> comparator, the ADC UVLO comparator, prevents the ADC from converting until there is sufficient headroom (V<sub>CC</sub> = 2.8V typical).

The SPOR software POR command can force a power-on reset of the MAX1619 registers via the serial interface. Use the SEND BYTE protocol with COMMAND = FCh. This is most commonly used to reconfigure the slave address of the MAX1619 "on the fly," where external hardware has forced new states at the ADD0 and ADD1 address pins prior to the software POR. The new address takes effect less than 100μs after the SPOR transmission stop condition.

### Power-Up Defaults:

- Interrupt latch is cleared.
- Address select pins are sampled.
- ADC begins auto-converting at a 0.25Hz rate.
- Command byte is set to 01h to facilitate quick remote Receive Byte queries.
- T<sub>HIGH</sub> and T<sub>LOW</sub> registers are set to +127°C and -55°C, respectively.
- T<sub>MAX</sub> and T<sub>HYST</sub> are set to +100°C and +95°C, respectively.
- $\overline{\text{OVERT}}$  polarity is active low.

# Remote/Local Temperature Sensor with Dual-Alarm Outputs and SMBus Serial Interface

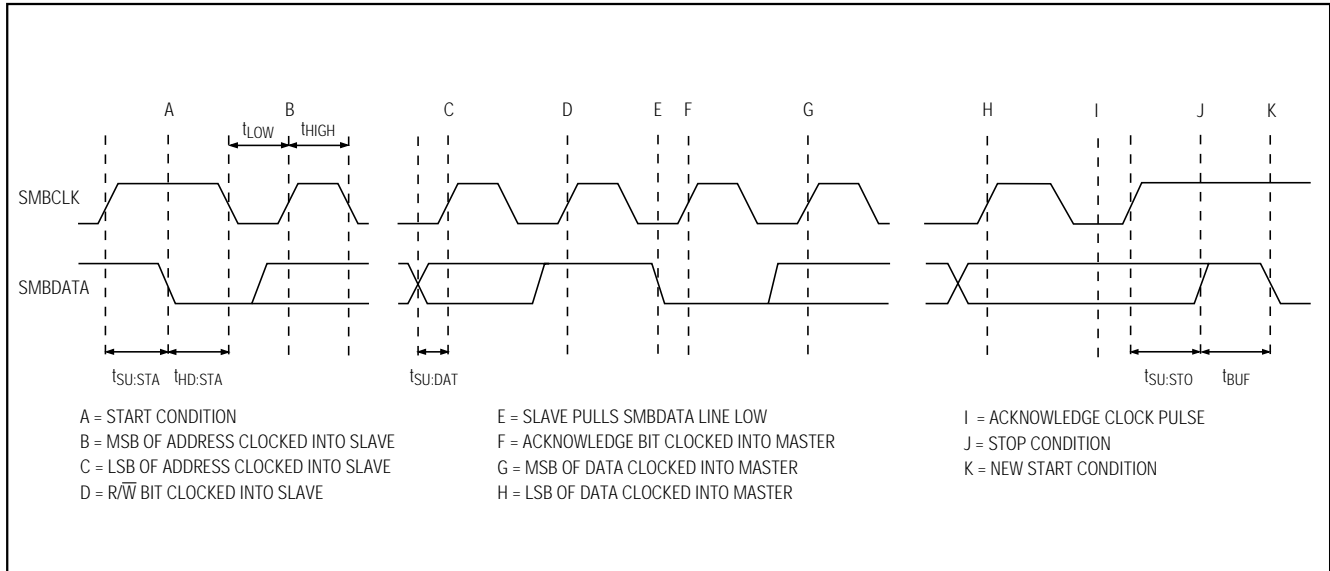


Figure 5. SMBus Write Timing Diagram

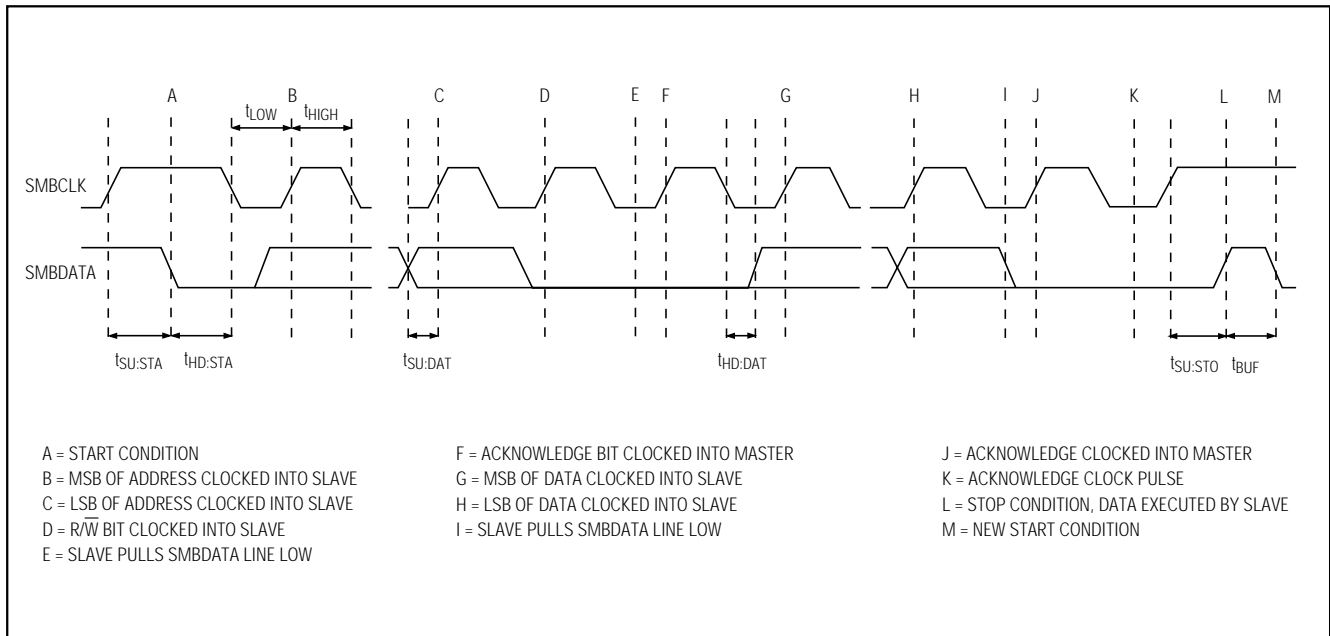


Figure 6. SMBus Read Timing Diagram



# Remote/Local Temperature Sensor with Dual-Alarm Outputs and SMBus Serial Interface

MAX1619

```
/* Beginning of the header file which sets the constants */

int    NumStates      = 10;
int    RRTE           = 1;    /* 0x01, command for reading remote temp register */
int    WCA            = 9;    /* 0x09, command for writing configuration register */
int    WCRW          = 10;   /* 0x0A, command for writing conversion rate register */
int    RSL           = 2;    /* 0x02, command for reading status register */
int    WRHA          = 13;   /* 0x0D, command for writing remote THIGH limit register */
int    WRLN          = 14;   /* 0x0E, command for writing remote TLOW limit register */
int    NoError       = 0;
int    Nobody        = 0;
int    MAX1619Addr   = 84;   /* 0x54, default address for MAX1619, ADD0,ADD1=open */
int    InitConfig    = 0;    /* 0x0C, configure MAX1619 to MASK=0 and RUN/STOP=0 */
int    InitConv      = 7;    /* 0x07, conversion rate of 8Hz */
int    HighAdder     = 2;    /* 2oC offset for calculating THIGH limit */
int    LowSubtractor = 4;    /* 4oC offset for calculating TLOW limit */
int    CollisionMask = 1;    /* 0x01, mask for status bit that indicates collision */
int    DiodeFaultMask = 4;   /* 0x04, mask for the OPEN diode fault status bit */
int    TempChangeMask = 24;  /* 0x18, mask for RHIGH and RLOW status bits */

array  State[0..NumStates] of int;

State[0] = -65 oC    /* At or above this temperature CPU duty cycle is 100% */
State[1] = 72 oC     /* At or above this temperature CPU duty cycle is 87.5% */
State[2] = 74 oC     /* At or above this temperature CPU duty cycle is 75% */
State[3] = 76 oC     /* At or above this temperature CPU duty cycle is 62.5% */
State[4] = 78 oC     /* At or above this temperature CPU duty cycle is 50% */
State[5] = 80 oC     /* At or above this temperature CPU duty cycle is 37.5% */
State[6] = 82 oC     /* At or above this temperature CPU duty cycle is 25% */
State[7] = 84 oC     /* At or above this temperature CPU duty cycle is 12.5% */
State[8] = 86 oC     /* At or above this temperature CPU duty cycle is 0.0% */
State[9] = 88 oC     /* At or above this temperature SHUT SYSTEM OFF! */
State[10] = 127 oC  /* Extra array location so looping is easier */

array  ClockRate[0..NumStates] of real;

ClockRate[0] = 1.0;
ClockRate[1] = 0.875;
ClockRate[2] = 0.75;
ClockRate[3] = 0.625;
ClockRate[4] = 0.5;
ClockRate[5] = 0.375;
ClockRate[6] = 0.25;
ClockRate[7] = 0.125;
ClockRate[8] = 0;
ClockRate[9] = 0;
ClockRate[10] = 0;

/* End of the header file */
```

Listing 1. Pseudocode Example

## Remote/Local Temperature Sensor with Dual-Alarm Outputs and SMBus Serial Interface

```

int Initialization()
{
    int ErrorCode = NoError;
    /* Test the SMBus communications path to the MAX1619 by writing the configuration,
    conversion rate and initial temperature limits; if SMBus communication was unsuccessful,
    power the system down. Note that the MAX1619Write procedure takes three parameters: the
    command code of the register to be written, the data to write, and a pointer to the the
    error code variable. If the error code variable does not equal NoError before the
    execution of MAX1619Write, MAX1619Write does nothing. If the SMBus communication fails in
    MAX1619Write, the error code variable is set to the type of error (for example a NACK,
    i.e. MAX1619 did not acknowledge). This code assumes that the BIOS is already in thermal
    state 0 (not throttling, i.e. full CPU clock rate) when the initialization routine is
    executed. */

    MAX1619Write(WCA, InitConfig, &ErrorCode); /* MASK=0 and RUN/STOP=0 */
    MAX1619Write(WCRW, InitConv, &ErrorCode); /* CONV = 8Hz */
    MAX1619Write(WRLN, LowestTemp, &ErrorCode); /* TLOW = -65oC */
    MAX1619Write(WRHA, State[0] + HighAdder, &ErrorCode) /* THIGH = 72oC */
    if (ErrorCode != NoError) then {
        /* Power off the system */
    } /* End of if (ErrorCode ... */
    return (ErrorCode);
}

/* After changing the conversion rate to 8Hz, the MAX1619 temperature register will not
have valid (i.e. current temperature) data for 238 milliseconds. */
} /* End of Initialization routine */

int ALERT_IntHandler()
{
    int ErrorCode = NoError;
    int WhoDunnit = Nobody;
    int FoundState = 0;
    int StatusInfo = 0;
    int TempHigh;
    int TempLow;
    /* This interrupt handler verifies that the MAX1619 is the source of the interrupt (and
    also clears the interrupt) via the SMBus Alert Response address; checks the status byte to
    ensure that a temperature change did indeed cause the interrupt; reads the remote
    temperature; programs a corresponding clock-throttling duty cycle, and sets up new Thigh
    and Tlow limits. */

    ReadAlertResponse(&WhoDunnit, &ErrorCode);
    if (WhoDunnit == MAX1619Addr) then {

        MAX1619Read(RSL, &StatusInfo, &ErrorCode);

        if (((StatusInfo & CollisionMask) != 0) and (ErrorCode == NoError)) then
            MAX1619Read(RSL, &StatusInfo, &ErrorCode);

        if (StatusInfo & DiodeFaultMask) != 0) then {

            /* Shut down system because thermal diode doesn't work */

        }
        else if ((StatusInfo & TempChangeMask) != 0) then {

```

Listing 1. Pseudocode Example (continued)

# Remote/Local Temperature Sensor with Dual-Alarm Outputs and SMBus Serial Interface

MAX1619

```
MAX1619Read(RRTE, &TempRead, &ErrorCode);
while ((TempRead >= State[FoundState + 1]) and
      (FoundState < (NumStates - 1))) do FoundState++;
if (FoundState == (NumStates - 1)) then {
    /* Ahhhhh!!! SHUT SYSTEM OFF!!!! */
}
else {
    /* adjust clock duty cycle */
    TempHigh = TempRead + HighAdder;
    TempLow = TempRead - LowSubtractor;
    MAX1619Write(WRHA, TempHigh, &Error);
    MAX1619Write(WRLN, TempLow, &Error);
} /* End of if (FoundState ... */

} /* End of if ((StatusInfo .. else if ... */

/* Handle local temp status bits if set */

}
else {
    /* Handle cases for other interrupt sources */
} /* End of if (WhoDunnit ... */

return(ErrorCode);
} /* End of Alert_IntHandler interrupt handler routine */
```

Listing 1. Pseudocode Example (continued)

## Programming Example: Clock-Throttling Control for CPUs

Listing 1 gives an untested example of pseudocode for proportional temperature control of Intel mobile CPUs through a power-management microcontroller. This program consists of two main parts: an initialization routine and an interrupt handler. The initialization routine checks for SMBus communications problems and sets up the MAX1619 configuration and conversion rate. The interrupt handler responds to ALERT signals by reading the current temperature and setting a CPU clock duty factor proportional to that temperature. The relationship between clock duty and temperature is fixed in a look-up table contained in the microcontroller code.

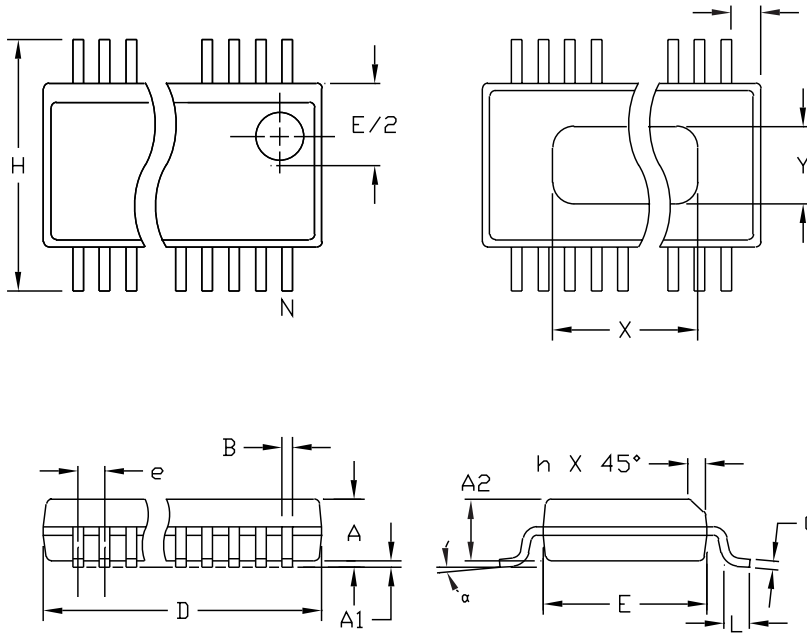
**Note:** Thermal management decisions should be made based on the latest external temperature obtained from the MAX1619 rather than the value of the Status Byte. The MAX1619 responds very quickly to changes in its environment due to its sensitivity. High and low alarm conditions can exist at the same time in the Status Byte due to the MAX1619 correctly reporting environmental changes around it.

## Chip Information

TRANSISTOR COUNT: 11,487

# Remote/Local Temperature Sensor with Dual-Alarm Outputs and SMBus Serial Interface

## Package Information



DIM	INCHES		MILLIMETERS	
	MIN	MAX	MIN	MAX
A	.061	.068	1.55	1.73
A1	.004	.0098	0.102	0.249
A2	.055	.061	1.40	1.55
B	.008	.012	0.20	0.31
C	.0075	.0098	0.191	0.249
D	SEE VARIATIONS			
E	.150	.157	3.81	3.99
e	.025 BSC		0.635 BSC	
H	.230	.244	5.84	6.20
h	.010	.016	0.25	0.41
L	.016	.035	0.41	0.89
N	SEE VARIATIONS			
X	SEE VARIATIONS			
Y	.071	.087	1.803	2.209
α	0°	8°	0°	8°

VARIATIONS:

DIM	INCHES		MILLIMETERS		N
	MIN	MAX	MIN	MAX	
D	.189	.196	4.80	4.98	16 AA
S	.0020	.0070	0.05	0.18	
X	.107	.123	2.72	3.12	
D	.337	.344	8.56	8.74	20 AB
S	.0500	.0550	1.270	1.397	
D	.337	.344	8.56	8.74	24 AC
S	.0250	.0300	0.635	0.762	
D	.386	.393	9.80	9.98	28 AD
S	.0250	.0300	0.635	0.762	
X	.271	.287	6.88	7.29	

NOTES:

1. D & E DO NOT INCLUDE MOLD FLASH OR PROTRUSIONS
2. MOLD FLASH OR PROTRUSIONS NOT TO EXCEED .006" PER SIDE.
3. HEAT SLUG DIMENSIONS X AND Y APPLY ONLY TO 16 AND 28 LEAD POWER-QSOP PACKAGES.
4. CONTROLLING DIMENSIONS: INCHES.

<b>MAXIM</b>			
PROPRIETARY INFORMATION			
TITLE			
PACKAGE OUTLINE, QSOP, .150", .025" LEAD PITCH			
APPROVAL	DOCUMENT CONTROL NO.	REV	1/1
	21-0055	B	

QSOP EPS

Maxim cannot assume responsibility for use of any circuitry other than circuitry entirely embodied in a Maxim product. No circuit patent licenses are implied. Maxim reserves the right to change the circuitry and specifications without notice at any time.

20 Maxim Integrated Products, 120 San Gabriel Drive, Sunnyvale, CA 94086 (408) 737-7600